

# WV-S25500-V3LN1

5MP Vandal Resistant Outdoor Dome Network Camera

## S-series High resolution Network camera with AI engine

---



- 5MP
- Intelligent Auto (with AI Engine)
- Super Dynamic 132dB
- Color night vision (0.05 to 0.07 lx)
- Smart Coding (with AI Engine)
- ClearSight Coating
- Built-in IR LED
- 50J, IK10 Vandal Resistant
- Fiber Optic Media Converter Unit (Optional WV-S25F1)
- Built-in FIPS 140-2 Level 3 Certified Secure Element (EdgeLock® SE050F NXP® Semiconductors)
- NDAA Compliant

# SPECIFICATIONS

| Camera  |   |
|---|---|
| Image Sensor                                      | Approx. 1/2.8 type CMOS image sensor  |
| Scanning Area                                     | 5.12 mm (H)×3.84 mm (V)<br>{3/16 inches (H) × 5/32 inches (V)}  |
| Minimum Illumination                              | Color :<br>0.05 lx (30IRE, F1.3, 1/30s, AGC:11)*<br>0.07 lx (50IRE, F1.3, 1/30s, AGC:11)<br>0.004 lx (50IRE, F1.3, 16/30s, AGC:11)*<br><br>BW :<br>0 lx (50IRE, F1.3, 1/30s, AGC:11, IR LED: On)<br>0.04 lx (50IRE, F1.3, 1/30s, AGC:11)<br>0.003 lx (50IRE, F1.3, 16/30s, AGC:11)*<br>*Converted value   |
| White Balance                                     | ATW1 / ATW2 / AWC   |
| Shutter Speed                                     | [30 fps/15 fps mode] 1/30 Fix to 1/10000 Fix<br>[25 fps/12.5 fps mode] 1/25 Fix to 1/10000 Fix  |
| Maximum Shutter                                   | [30 fps mode] Max. 1/4000 s to Max. 16/30 s<br>[25 fps mode] Max. 1/4000 s to Max. 16/25 s  |
| Intelligent Auto                                  | On / Off  |
| Super Dynamic                                     | On / Off, The level can be set in the range of 0 to 31.   |
| Dynamic Range                                     | Max.132 dB (Super Dynamic : On, Level 31)   |
| Adaptive Black Stretch                            | The level can be set in the range of 0 to 255.  |
| Back light compensation / High light compensation | BLC (Back light compensation) / HLC (High light compensation) / Off (only when Super dynamic / Intelligent Auto : Off)  |
| Fog Compensation                                  | On / Off (only when Intelligent auto / auto contrast adjust : Off)  |
| Maximum Gain (AGC)                                | The level can be set in the range of 0 to 11.   |
| Color/BW (ICR)                                    | Off / On (IR Light Off) / On (IR Light On) / Auto1 (IR Light Off) / Auto2 (IR Light On) / Auto3 (SCC)   |
| IR LED Light                                      | High / Middle / Low / Off,<br>Maximum irradiation distance : 55 m {Approx. 180 ft} (30IRE) , 40 m {Approx. 131 ft} (50IRE)  |
| Digital Noise Reduction                           | The level can be set in the range of 0 to 255.  |
| Video Motion Detection (VMD)                      | On / Off, 4 areas available   |
| Scene Change Detection (SCD)                      | On / Off, 1 areas available   |
| Audio Detection                                   | On / Off  |
| AI Sound classification                           | Gunshot, Yell, Vehicle horn, Glass break  |
| AI Analytics                                      | AI Video Motion Detection, AI Privacy Guard, AI Face Detection,<br>AI People Detection, AI Vehicle Detection,<br>AI Non mask Detection (prior to V2.70), AI Occupancy Detection, AI Scene Change Detection<br><br>For details :<br><a href="https://i-pro.com/products_and_solutions/en/surveillance/products/analytics-software">https://i-pro.com/products_and_solutions/en/surveillance/products/analytics-software</a><br>3rd party applications are also available.<br><a href="https://i-pro.com/products_and_solutions/en/surveillance/solutions/edge-ai-platform/application-list">https://i-pro.com/products_and_solutions/en/surveillance/solutions/edge-ai-platform/application-list</a> |
| Privacy Zone                                      | On / Off,<br>Up to 8 zones available  |

|                    |  |
|--------------------|--|
| VIQS               | On / Off,<br>Up to 8 zones available                           |
| Image rotation     | 0 ° / 90 ° / 180 ° / 270 °                                     |
| Camera Title (OSD) | On / Off, Up to 40 characters (alphanumeric characters, marks) |
| Focus Adjustment   | Auto focus   |

### Lens

|                        |  |
|------------------------|--|
| Optical Zoom           | 3.1x (Motorized zoom / Motorized Focus)  |
| Extra zoom             | 3.1x - 9.3x (when resolution is 640 x 360)   |
| Focal Length           | 2.9 - 9 mm {1/8 inches - 11/32 inches}   |
| Angular Field of View  | [16 : 9 mode]<br>Horizontal : 33° (TELE) - 103° (WIDE), Vertical : 19° (TELE) - 55° (WIDE)<br>[ 4 : 3 mode]<br>Horizontal : 33° (TELE) - 103° (WIDE), Vertical : 25° (TELE) - 75° (WIDE) |
| Maximum Aperture Ratio | 1 : 1.3 (WIDE) - 1 : 2.5 (TELE)  |
| Focusing Range         | 0.3 m {11-13/16 inches} - ∞  |

### DORI

|                            |   |
|----------------------------|---|
| Detect (25ppm / 8ppf)      | Wide: 48.9 m / 160.3 ft, Tele: 207.4 m / 680.5 ft |
| Observe (62.5ppm / 19ppf)  | Wide: 19.5 m / 64.1 ft, Tele: 83.0 m / 272.2 ft   |
| Recognize (125ppm / 38ppf) | Wide: 9.8 m / 32.1 ft, Tele: 41.5 m / 136.1 ft    |
| Identify (250ppm / 76ppf)  | Wide: 4.9 m / 16.0 ft, Tele: 20.7 m / 68.1 ft     |

### System on Chip (SoC)

|                      |                |
|----------------------|----------------|
| System on Chip (SoC) | Ambarella CV22 |
|----------------------|----------------|

### Adjusting Angle

|                 |   |
|-----------------|---|
| Adjusting Angle | Horizontal : -194 to +166°, Vertical : -30 to +85°, Yaw : ±100° |
|-----------------|---|

### Browser GUI

|                           |  |
|---------------------------|--|
| Camera Control            | Brightness, AUX On / Off   |
| Audio                     | Mic (Line) Input : On / Off Volume adjustment : Low / Middle / High<br>Audio Output : On / Off Volume adjustment : Low / Middle / High |
| GUI / Setup Menu Language | English, Italian, French, German, Spanish, Portuguese, Russian, Chinese, Japanese  |
| Browser                   | Microsoft Edge, Firefox, Google Chrome   |

### Network

|                                       |   |
|---------------------------------------|---|
| Network IF                            | 10Base-T / 100Base-TX, RJ45 connector   |
| Resolution H.265/ H.264/ JPEG (MJPEG) | [16:9 mode (30 fps mode)][16:9 mode (25 fps mode)]<br>3072x1728/2560x1440/1920x1080/1280x720/640x360/320x180<br>[4:3 mode (30 fps mode)][4:3 mode (25 fps mode)]<br>3072x2304/2560x1920/1280x960/800x600/VGA/400x300/320x240  |
| JPEG - Image Quality                  | 10 steps  |
| Smart Coding                          | GOP (Group of pictures control): Off/ Low (Variable GOP 1s-8s)/ Mid (Variable GOP 4s-16s)/<br>Advanced(Fixed GOP 60s w/1s key-frame) / Frame rate control (Variable GOP 4s-16s with frame rate control)<br>*Advanced and Frame rate control are only available with H.265.<br>Smart VIQS: On(High)/On(Low)/Off, Smart P-picture control: On/Off |
| Audio Compression                     | G.726 (ADPCM) : 16 kbps / 32 kbps<br>G.711 : 64 kbps<br>AAC-LC : 64 kbps / 96 kbps / 128 kbps   |
| Audio Transmission Mode               | Off / Mic (Line) input / Audio output / Interactive (Half duplex) / Interactive (Full duplex)   |

|                                   |   |
|-----------------------------------|---|
| Supported Protocol                | IPv6 : TCP/IP, UDP/IP, HTTP, HTTPS, SSL/TLS, SMTP, DNS, NTP, SNMPv1/v2/v3, DHCPv6, RTP, MLD, ICMP, ARP, IEEE 802.1X, DiffServ, LLDP<br>IPv4 : TCP/IP, UDP/IP, HTTP, HTTPS, SSL/TLS, RTSP, RTP, RTP/RTCP, SMTP, DHCP, DNS, DDNS, NTP, NMPv1/v2/v3, UPnP, IGMP, ICMP, ARP, IEEE 802.1X, DiffServ, SRTP, LLDP  |
| No. of Simultaneous Users         | Up to 14 users (Depends on network conditions)  |
| Secure                            | FIPS 140-2 level 3 (NXP® EdgeLock® SE050F), Device Certificate GlobalSign® pre-installed, HTTPS, User authentication, Digest authentication, Host authentication, IEEE802.1X, System log, Image transmission log, Brute-force protection, Alteration detection, Signed Firmware   |
| SDXC/SDHC/SD Memory Card (Option) | H.265 / H.264 recording :<br>Manual REC / Alarm REC (Pre/Post) / Schedule REC / Backup upon network failure<br>JPEG recording : Manual REC / Alarm REC (Pre/Post) / Backup upon network failure<br>Compatible SDXC/SDHC/SD Memory Card :<br>microSDXC memory card : 64 GB, 128 GB, 256 GB, 512 GB<br>microSDHC memory card : 4 GB, 8 GB, 16 GB, 32 GB<br>microSD memory card : 2 GB |
| Mobile Terminal Compatibility     | iPad, iPhone, Android™ terminals  |
| ONVIF Profile                     | G / S / T / M   |

### Alarm

|               |  |
|---------------|--|
| Alarm Source  | 3 terminals input, VMD alarm, Command alarm, Audio detection alarm   |
| Alarm Actions | SDXC/SDHC/SD memory recording, E-mail notification, HTTP alarm notification Indication on browser, TCP alarm notification output |

### Input/Output

|                        |  |
|------------------------|--|
| Audio input            | ø3.5 mm stereo mini jack   |
| Audio Output           | ø3.5 mm stereo mini jack (monaural output)<br>Output impedance : Approx. 600 Ω (unbalanced)<br>Output level : -20 dBV  |
| External I/O Terminals | ALARM IN 1 (Alarm input 1/ Black & white input/ Auto time adjustment input) (x1)<br>ALARM IN 2 (Alarm input 2/ ALARM OUT) (x1), ALARM IN 3 (Alarm input 3/ AUX OUT) (x1) |
| Monitor Output         | Yes (for adjustment)<br>Pin jack, NTSC or PAL signal can be output from camera   |

### General

|                                    |  |
|------------------------------------|--|
| Safety                             | UL (UL62368-1), c-UL (CSA C22.2 No.62368-1), CE, IEC62368-1  |
| EMC                                | FCC (Part15 ClassA), ICES-003 ClassA, EN55032 ClassA, EN55035  |
| Power Source and Power Consumption | DC power supply : DC12 V 1.0 A, Approx. 12.0 W<br>PoE (IEEE802.3af compliant) Device : DC48 V 240 mA, Approx. 11.5 W (Class 0 device)  |
| Ambient Operating Temperature      | -40 °C to +60 °C (-40 °F to 140 °F)<br>(Power On range : -30 °C to +60 °C {-22 °F to +140 °F})   |
| Ambient Operating Humidity         | 10 to 100 % (no condensation)  |
| Anti-Condensation System           | Temish element + Heater + moisture absorption gel  |
| Water and Dust Resistance          | IP66, IEC60529 measuring standard compatible, Type 4X(UL50E), NEMA 4X compliant  |
| Shock Resistance                   | IK10 (IEC 62262)   |
| Wind Resistance                    | Up to 40 m/s {approx. 89 mph}  |
| Dimensions                         | ø154 mm x 105 mm (H) {ø6-1/16 inches x 4-1/8 inches (H)}   |
| Mass (Approx.)                     | Approx. 1.1 kg {2.43 lbs.}   |
| Finish                             | Main body : Aluminum die cast and resin, Black<br>Outer fixing screws : Stainless steel (Corrosion-resistant treatment)<br>Dome section : Polycarbonate resin, Clear (with ClearSight coating) |

## NOTES

#### Important

- Safety Precautions : Carefully read the Basic Information,Installation Guide and Operating Instructions before using this product.
- i-PRO Co., Ltd. cannot be held responsible for the performance of the network and/or other manufacturers' products used on the network.
- Masses and dimensions are approximate. Specifications are subject to change without notice.

#### Trademarks and registered trademarks

- iPad and iPhone are trademarks of Apple Inc., registered in the U.S.and other countries. - Android is a trademark of Google LLC.
- ONVIF is a trademark of ONVIF, Inc.
- All other trademarks identified herein are the property of their respective owners

©i-PRO Co., Ltd All rights reserved / November 2022

## OPTIONAL ACCESSORIES

Select a compatible accessory

[Accessory\\_Selector\\_\(i-pro.com\)](http://Accessory_Selector_(i-pro.com))



WV-QWL506-B  
4-screw Wall Mount  
Bracket



WV-QWL501-B  
Mount Bracket



WV-QWL500-B  
Mount Bracket



WV-QSR505-B  
Sun Shade



WV-QSR501-B  
Mount Bracket



WV-QPL500-B  
Mount Bracket



WV-QJB501-B  
Base Bracket



WV-QJB500-B  
Mount Bracket



WV-QEM500-W  
Mount Bracket



WV-QCN500-W  
Mount Bracket



WV-QCL101-B  
Mount Bracket



WV-QCL100-B  
Mount Bracket



WV-Q178  
Mount Bracket



WV-Q105A  
Mount Bracket



WV-QCA501A  
I/O Cable



WV-QCA500A  
RJ45 Ethernet Cable



WV-CW7SN  
Dome cover



WV-CW7S  
Dome cover



WV-CW7CN  
Dome cover



WV-PM500  
Compact microphone  
unit



WV-QCN500-B  
Mount Bracket



WV-QCL501-B  
Mount Bracket



WV-QDC504C  
Dome Cover



WV-SDB256G  
i-PRO SD Memory Card



WV-SDB128G

i-PRO SD Memory Card



WV-SDB064G

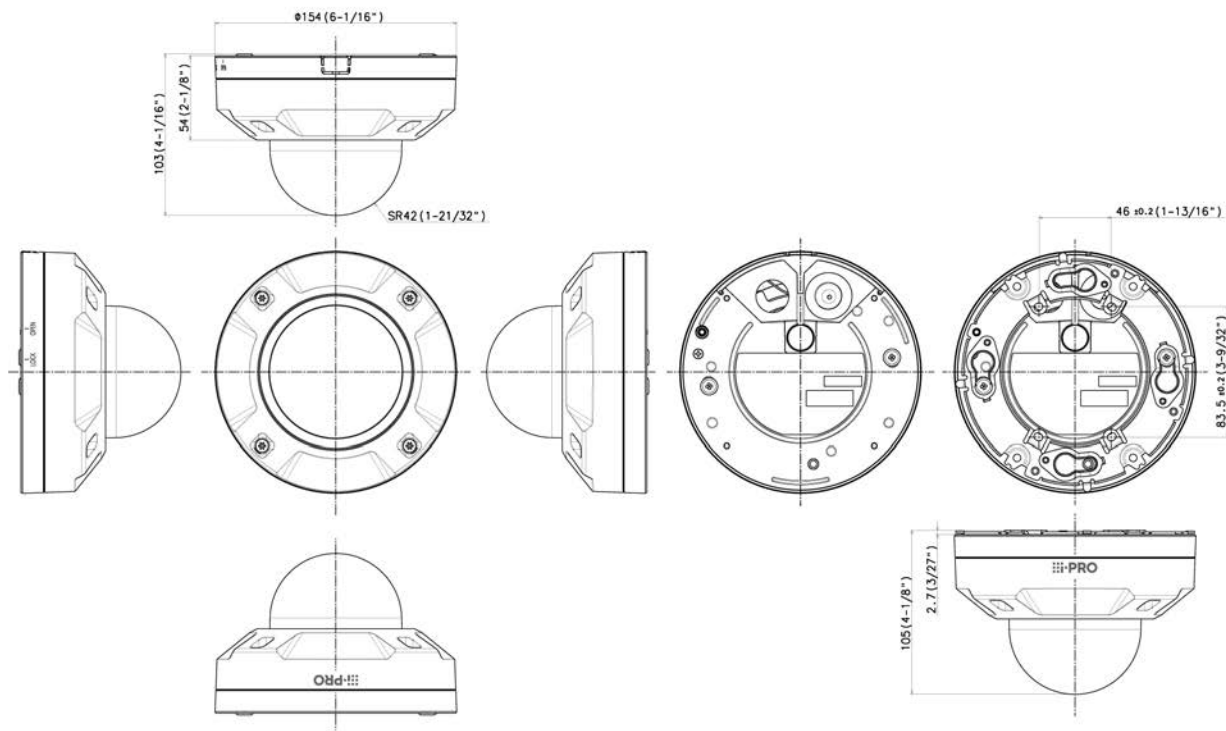
i-PRO SD Memory Card



WV-SDB032G

i-PRO SD Memory Card

# APPEARANCE



**With Attachment plate**

| 侧面图/Side-view | 投影面积/Projected area     |
|---------------|-------------------------|
|               | 0.011 (m <sup>2</sup> ) |

Mass : Approx. 1.1 kg (2.43 lbs)  
 (Excluding attachment for the conduit portion)

Unit:mm